

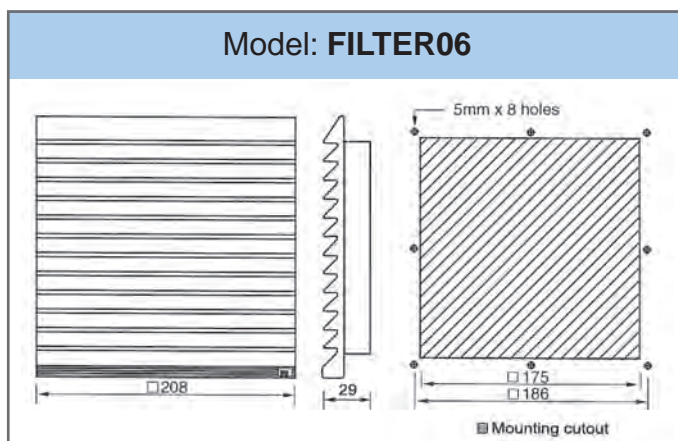
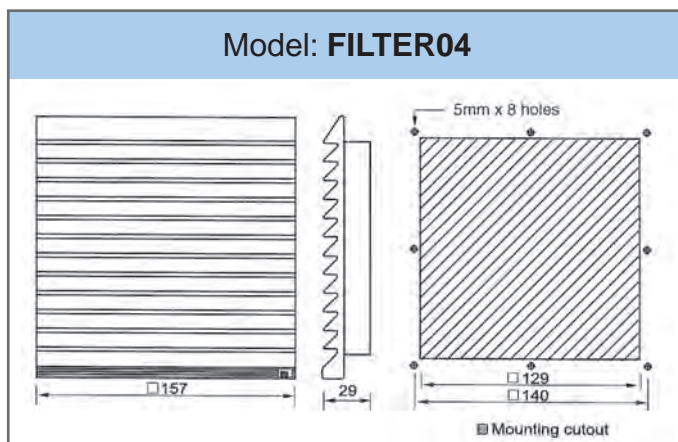
# Ventilator Filter Unit



## Model & Dimension

Item	Model	Size (mm)	Per carton (pcs.)
1	<b>FILTER04</b>	157 x 157 x 29	30
2	<b>FILTER06</b>	208 x 208 x 29	

## Mounting cutout (mm)



## Specification

Plastic Casing	
Material	ABS
Flame retardant	Yes
UV-resistant	Yes

Filter element	
Material	Synthetic fibers
Avg. arrestance (EN779)	86%
Air Velocity	1.5 m/s
Rated air flow (m <sup>3</sup> /h/m <sup>2</sup> )	5400
Final pressure drop	250 Pa
Initial efficiency (dust spot)	<20%
Dust holding at tested final	620g/m <sup>2</sup>
Class (EN779)	G3
Temperature resistant	Up to 100°C
Relative humidity	Up to 100°C
Washable	Yes



CERT NO. 403479

# Cooling Fan - AC axial fan



## Model & Dimension

Model	FAN04 - P2123HS(B)T	FAN06 - P2175HBT(L)-ET
Dimension	120x120x38mm	172x150x51mm
Frame	Die cast aluminum	
Impeller	Thermoplastic PBT,V-0	
Ambient temperature range	-10°C ~ +70°C	
Operating voltage range	Rated voltage $\pm$ 10%	
Bearing	Ball Bearing	
Termination	Lead wire 310 $\pm$ 5%mm	
Motor structure	AC shaded-pole motor	AC external rotor capacitor motor
Advantages	- Impedance protected - Flowing shape	- Thermal protected - External rotor motor - Low power consumption

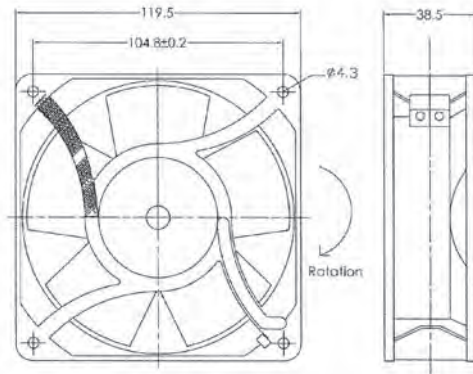


## Specification

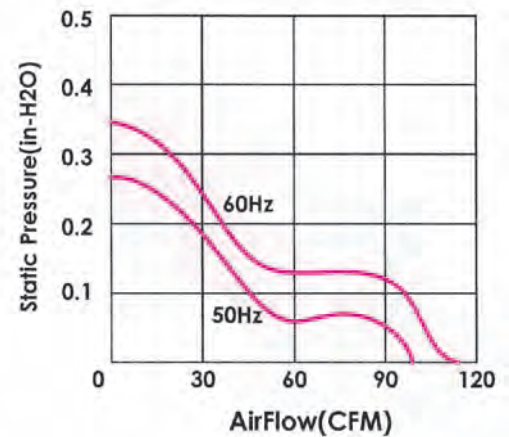
Model	Safety standard	Voltage (V)	Freq. (Hz)	Current (A)	Power (W)	Speed (RPM)	Air flow (CFM)	Pressure (in-H2O)	Noise (dB)	Per carton (pcs.)
FAN04 P2123HS(B)T	UL,TUV,CE	230	50/60	0.12/0.1	20/17	2700/3150	97/115	0.27/0.34	47/49	40
FAN06 P2175HBT(L)-ET				0.12/0.12	25/25	2650/3100	202/240	0.6/0.68	51/58	12

### Dimension (mm)

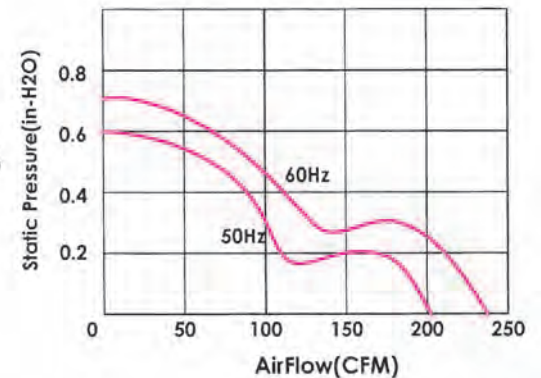
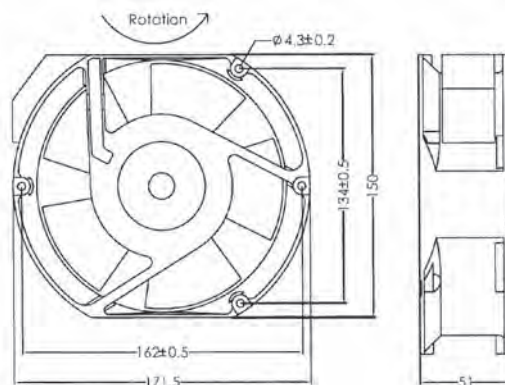
Model: FAN04



### Characteristic Curves



Model: FAN06



Please contact

We reserve the right to alter product design and specifications without prior notice.



CERT NO. 403479